

V-BLADE LEVELER



T. G. SCHMEISER®

OPERATION AND PARTS MANUAL

Version 2.1
March 2018

Read and understand the manual. This manual provides information and procedures to safely operate and maintain the V-Blade Leveler.





CONTENTS

INTRODUCTION.....	4	MAINTENANCE.....	18
Engineered for Long Life.....	4	Maintenance Schedule.....	18
Serial Number Information.....	4	Lubrication Points.....	18
Replacement Parts.....	4	Ground Engaging Components.....	19
Warranty Information.....	4	Front and Rear Blade Replacement.....	19
Serial Number Location.....	4	Rear Wear Plate Replacement.....	19
Factory Contact Information.....	4	Side Wear Blade Replacement.....	19
Dealer Contact Information.....	4	Middle Buster Replacement.....	19
SPECIFICATIONS.....	5	Berm Scraper Wear Plate Replacement.....	20
V-Blade Leveler (Bucket Model).....	5	STORAGE.....	20
V-Blade/Roller Leveler (Roller Model).....	5	Storage Preparation.....	20
SAFETY.....	6	Placing In Storage.....	20
Safety Alert Symbols.....	6	Removing From Storage.....	20
Safety Icons Nomenclature.....	7	PARTS SECTION.....	21
Personal Protection/Important Information.....	7	Ordering Parts.....	21
Prohibited Actions.....	7	V-Blade Leveler Bucket Assembly.....	21
Hazard Avoidance.....	7	V-Blade Leveler Front and Rear Blades.....	22
General Safety.....	8	V-Blade Leveler Side Blades.....	23
Assembly Safety.....	8	V-Blade Leveler Berm Scraper Assembly.....	25
Transport Safety.....	9	V-Blade Leveler Rear Roller Assembly.....	26
Operation Safety.....	9	LIMITED WARRANTY STATEMENT.....	27
Tractor Requirements.....	9		
Tractor Safety Devices.....	10		
ROPS and Seat Belt.....	10		
Connectding to Tractor.....	10		
Maintenance Safety.....	10		
Bolt Torque Requirements.....	11		
Welding Repairs.....	11		
Storage Safety.....	11		
Disposal of Equipment at End of Useful Life.....	11		
SAFETY LIGHTING AND MARKING.....	12		
SAFETY SIGNS AND DECALS.....	13		
Safety Sign Placement.....	13		
Safety Signs and Decals.....	14		
COMPONENT NOMENCLATURE.....	15		
Component Locations.....	15		
OPERATION.....	16		
Attaching to Tractor.....	16		
Setting the V-blade leveler.....	16		
Initial Set Up Check List.....	16		
Implement Break-In.....	17		
General Operating Instructions.....	17		
Berm Scrapers (Optional Equipment).....	17		
Detaching From Tractor.....	18		

INTRODUCTION

Your Schmeiser V-Blade Leveler (implement) is the ideal pre- and post- harvest tool for leveling orchard floors. The V-Blade Leveler will knock down the high spots and fill in the low areas with a single pass.

This manual has been prepared to instruct the user in the safe and efficient operation of this implement. Read and understand the manual thoroughly and follow all instructions carefully.

Engineered for Long Life

The V-Blade Leveler is designed to provide many years of dependable service when used and maintained properly.

Serial Number Information

Record the serial number, model number, and date purchased in the space provided in the Serial Number Location section. Be sure to have this information whenever contacting the dealer to order parts or attachments for this implement.

Replacement Parts

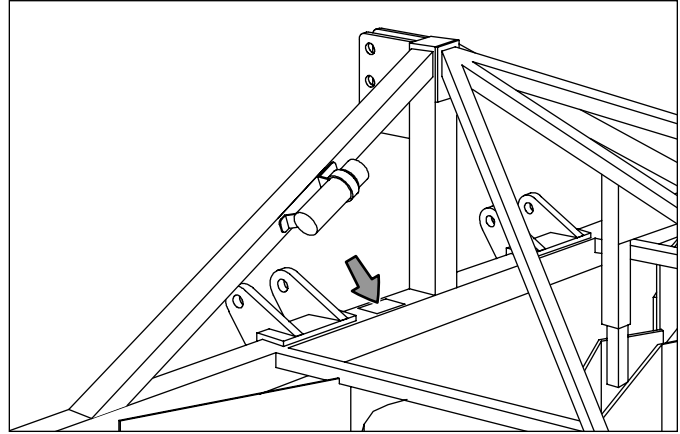
Should this implement require replacement parts, contact your local Schmeiser dealer. Always order genuine Schmeiser OEM replacement parts.

Warranty Information

It is important that the Warranty Card be completed and sent to Schmeiser. The warranty will not be valid until the information is on file at Schmeiser. If information not contained in this manual is needed, contact your Schmeiser dealer.

Thank you for buying a Schmeiser V-Blade Leveler.

Serial Number Location



Serial No. _____

Model No. _____

Date Purchased. _____

Dealer Name. _____

Factory Contact Information

For questions not answered in this manual, if additional copies are required, or the manual is damaged, please contact your local dealer or:

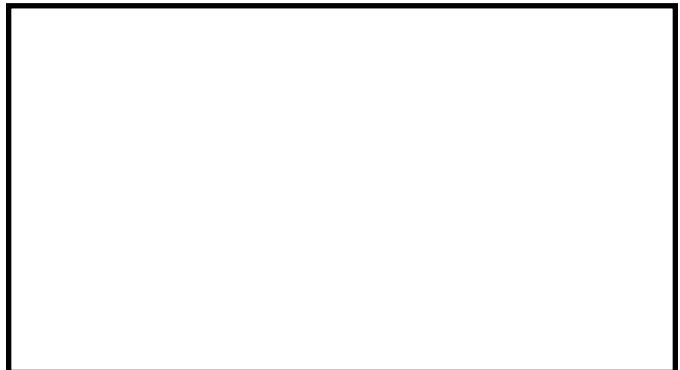
T. G. Schmeiser Co., Inc.
P.O. Box 1392
Selma, CA 93662

Phone: (559) 268-8128
Fax: (559) 268-3279
E-mail: sales@tgschmeiser.com
Web: www.tgschmeiser.com

Additional copies of this manual can also be downloaded at www.tgschmeiser.com.

Dealer Contact Information

For replacement decals, questions, or to order parts, contact your dealer:





SPECIFICATIONS

V-Blade Leveler (Standard Model)

Model	Size	Width	Length	Weight	Recommended HP
VBL-08	8' (2.4 m)	8' 2" (2.5 m)	8' 6" (2.6 m)	1460 lbs. (662 kg)	40 - 55
VBL-09	9' (2.7m)	9' 2" (2.8m)	8' 6" (2.6 m)	1550 lbs. (703 kg)	40 - 60
VBL-10	10' (3.0 m)	10' 2" (3.1 m)	8' 6" (2.6 m)	1640 lbs. (744 kg)	50 - 65
VBL-11	11' (3.4 m)	11' 2" (3.4 m)	8' 6" (2.6 m)	1730 lbs. (785 kg)	55 - 70
VBL-12	12' (3.6 m)	12' 2" (3.7 m)	8' 6" (2.6 m)	1820 lbs. (826 kg)	60 - 75
VBL-13	13' (3.9 m)	13' 2" (4.0 m)	8' 6" (2.6 m)	1910 lbs. (866 kg)	65 - 80
VBL-14	14' (4.2 m)	14' 2" (4.3 m)	8' 6" (2.6 m)	1990 lbs. (903 kg)	75 - 90
VBL-15	15' (4.5 m)	15' 2" (4.6 m)	8' 6" (2.6 m)	2080 lbs. (943 kg)	75 - 95
VBL-16	16' (4.9 m)	16' 2" (4.9 m)	8' 6" (2.6 m)	2150 lbs. (975 kg)	80 - 100
VBL-17	17' (5.2 m)	17' 2" (5.2 m)	8' 6" (2.6 m)	2240 lbs. (1016 kg)	85 - 105
VBL-18	18' (5.4 m)	18' 2" (5.5 m)	8' 6" (2.6 m)	2330 lbs. (1057 kg)	90 - 110

V-Blade/Roller Leveler (Roller Model)

Model	Size	Width	Length	Weight	Recommended HP
VBL-08R	8' (2.4 m)	8' 6" (2.6 m)	8' 6" (2.6 m)	1520 lbs. (689 kg)	40 - 55
VBL-09R	9' (2.7m)	9' 6" (2.9m)	8' 6" (2.6 m)	1615 lbs. (733 kg)	40 - 60
VBL-10R	10' (3.0 m)	10' 6" (3.2 m)	8' 6" (2.6 m)	1710 lbs. (776 kg)	50 - 65
VBL-11R	11' (3.4 m)	11' 6" (3.5 m)	8' 6" (2.6 m)	1790 lbs. (812 kg)	55 - 70
VBL-12R	12' (3.6 m)	12' 6" (3.8 m)	8' 6" (2.6 m)	1900 lbs. (862 kg)	60 - 75
VBL-13R	13' (3.9 m)	13' 6" (4.1 m)	8' 6" (2.6 m)	1995 lbs. (905 kg)	65 - 80
VBL-14R	14' (4.2 m)	14' 6" (4.4 m)	8' 6" (2.6 m)	2080 lbs. (943 kg)	75 - 90
VBL-15R	15' (4.5 m)	15' 6" (4.7 m)	8' 6" (2.6 m)	2175 lbs. (987 kg)	75 - 95
VBL-16R	16' (4.9 m)	16' 6" (5.0 m)	8' 6" (2.6 m)	2250 lbs. (1021 kg)	80 - 100
VBL-17R	17' (5.2 m)	17' 6" (5.3 m)	8' 6" (2.6 m)	2345 lbs. (1064 kg)	85 - 105
VBL-18R	18' (5.4 m)	18' 6" (5.6 m)	8' 6" (2.6 m)	2440 lbs. (1107 kg)	90 - 110

SAFETY

Carefully read and follow all safety precautions before operation. There are obvious and hidden potential hazards involved in the operation of this implement. Serious injury or death may occur unless care is taken to ensure the safety of both the operator and any other persons in the area. Avoid potential danger by taking extra time for thought and a more careful approach to the use of this implement.

Most work related accidents are caused by failure to observe basic safety rules or precautions. An accident can often be avoided by recognizing potentially hazardous situations before an accident occurs. As you assemble, operate, or maintain the unit, you must be alert to potential hazards. You should also have the necessary training, skills, and tools to perform any assembly or maintenance procedures.

Improper operation and maintenance of this unit could result in a dangerous situation that could cause injury or death. T.G. Schmeiser cannot anticipate every possible circumstance that might involve a potential hazard. The warnings in this manual and on the product are, therefore, not all-inclusive. If a method of operation not specifically recommended by us is used, you must satisfy yourself that it is safe for you and for others. You should also ensure that the unit will not be damaged or be made unsafe by the methods that you choose.

The information, specifications, and illustrations in this manual are based on the information that was available at the time this material was written and are subject to change without notice.

Safety Alert Symbols



This is the safety alert symbol. It is used to alert you to potential personal injury hazards.

Obey all safety messages that follow this symbol to avoid possible injury or death.

This manual contains DANGERS, SAFETY INSTRUCTIONS, CAUTIONS, IMPORTANT NOTICES, and NOTES which must be followed to prevent the possibility of improper service, damage to the equipment, personal injury, or death. The following key words call the readers attention to potential hazards.

Hazards are identified by the "Safety Alert Symbol" and followed by a signal word such as "DANGER", "WARNING", or "CAUTION".

DANGER

Indicates an imminently hazardous situation which, if not avoided, will result in death or serious injury. This signal word is limited to the most extreme situations.

WARNING

Indicates a potentially hazardous situation which, if not avoided, could result in death or serious injury.

CAUTION

Indicates a potentially hazardous situation which, if not avoided, may result in minor or moderate injury.

NOTICE

Indicates that equipment or property damage can result if instructions are not followed.

SAFETY INSTRUCTIONS

Safety instructions (or equivalent) signs indicate specific safety-related instructions or procedures.

Note: Contains additional information important to a procedure.

Safety Icons Nomenclature

This manual and the equipment has numerous safety icons.

These safety icons provide important operating instructions which alert you to potential personal injury hazards.

Personal Protection/Important Information

 READ THE MANUAL

 THINK SAFETY


 MAINTENANCE PROCEDURE

 WEIGHT RATING

 EYE PROTECTION

 HAND PROTECTION

 HEAD PROTECTION

 HEARING PROTECTION

 INSPECT EQUIPMENT

 OEM PARTS ONLY

 PLACE IN NEUTRAL

 PROTECTIVE SHOES

 REMOVE KEY

 DAMAGED HAZARD LABEL

 SLOW VEHICLE PLACARD

 SET PARKING BRAKE

 STOP ENGINE

 SUPPORT STAND USAGE

 USE PROPER TOOLS

 VISUALLY INSPECT


 USE ROPS


 USE CORRECT PARTS


Prohibited Actions

 DO NOT ALTER OR MODIFY


 DO NOT LEAVE OUT TOOLS

 DO NOT WELD


 NO ALCOHOL

 NO CHILDREN

 NO DRUGS


 NO PASSENGERS

 NO RIDERS

 NO BYSTANDERS


Hazard Avoidance

 BLOCK WHEELS


 CRUSHING HAZARD (body)

 CRUSHING HAZARD (foot)


 CRUSH HAZARD (rolling over)


 DEFECTIVE OR BROKEN PART


 FALLING HAZARD


 MAINTAIN SAFE DISTANCE


 OVERTURN HAZARD


 PINCH POINT HAZARD


 SAFETY ALERT SYMBOL


 SHARP OBJECT HAZARD


 ZERO PRESSURE


 COMPRESSED AIR HAZARD

 CRUSH HAZARD

 CRUSH HAZARD

 HIGH PRESSURE FLUID HAZARD

 HOT SURFACE HAZARD

 HEAVY OBJECT HAZARD

GENERAL SAFETY



WARNING



Read and Understand Manual

To prevent personal injury or even death, be sure you read and understand all of the instructions in this manual and other related OEM equipment manuals! This equipment is dangerous to children and persons unfamiliar with its operation. The operator should be a responsible adult familiar with farm machinery and trained in this equipment's operations. Do not allow persons to operate or maintain this unit until they have read this manual and have developed a thorough understanding of the safety precautions and how it works.

This unit was designed for a specific application;

DO NOT modify or use this unit for any application other than that for which it was designed.

Units operated improperly or by untrained personnel can be dangerous!



Fall Hazard

Do not use this implement as a work platform. Do not stand on top of the unit at any time. Do not ride on the tractor or the implement or allow others to ride.



Crush Hazard (Rolling Over)

To prevent serious injury or death, before disconnecting, leaving the operator's seat, servicing, adjusting, repairing, or performing other work on the implement, ALWAYS:

1. Stop the tractor or towing vehicle.
2. Shut off the engine and remove the ignition key.
3. Set the brakes.
4. Make sure wheel cylinder transport lock is attached.
5. Relieve hydraulic fluid pressure.



Injury Hazard

Do not permit children to play on or around the unit.



Impaired Operator Hazard

Do not attempt to operate this unit under the influence of drugs or alcohol. Review the safety instructions with all users annually.



Pinch Point /Sharp Object Hazard

Do not place any body parts between moving and / or stationary parts. The weight of the implement will easily cause serious bodily injury.



To prevent injury, use a tractor equipped with a Roll Over Protective System (ROPS).



Visually Inspect

Visually inspect the unit for any loose bolts, worn parts, or cracked welds, and make necessary repairs before using the unit.



Personal Protection Equipment

When working around or operating this unit, wear appropriate personal protective equipment. This list includes but is not limited to:



- A hard hat
- Protective shoes with slip resistant soles
- Protective goggles, glasses, or face shield
- Heavy gloves and protective clothing
- Ear muffs or plugs



Use Properly Rated Tools

To prevent serious injury: Use sufficient tools, jacks, and hoists that have the capacity for the job.



NO PASSENGERS ALLOWED

Do not carry passengers anywhere on or in the tractor or implement.



Rolling Hazard

To prevent serious injury, lock the wheels when performing assembly, maintenance, repairs, or when preparing for storage.

ASSEMBLY SAFETY



WARNING



Crush Hazard

Use support blocks or safety stands rated to support the load when assembling the unit or performing maintenance. Never work under equipment supported by hydraulics. Hydraulics can drop equipment instantly if controls are actuated even when power to the hydraulics is shut off.



Trapped Air Hazard

When installing, replacing, or repairing hydraulic system cylinders or parts, make sure that the entire system is charged and free of air before resuming operations. Failure to bleed the system of all air can result in improper machine operation, causing severe injury.

TRANSPORT SAFETY

SAFETY INSTRUCTIONS



When transporting the implement on public roads, use approved accessory lighting, flags, or other necessary warning devices to protect operators of other vehicles on the highway during daytime and nighttime transport. Various safety lights and devices are available from your dealer.



When transporting the unit on public roads, use flashing amber warning lights and a slow moving vehicle (SMV) identification emblem. Make sure the SMV placard is clearly visible to vehicles approaching from the rear.

Some localities prohibit the use of flashing amber lights. Local laws should be checked for all highway lighting and marking requirements.

Be a safe and courteous driver. Always yield to oncoming traffic in all situations, including narrow bridges, intersections, etc. Plan your route to avoid heavy traffic.

Be observant of bridge load restrictions. Do not cross bridges rated lower than the gross weight at which you are operating.



Loss of Control

A minimum of 20% of the combined tractor and equipment weight should be on the front wheels to ensure adequate stability during transport and operation. To avoid serious injury or death from a loss of control accident, maintain 20% weight on the front wheels. Add front end weight if necessary.

OPERATION SAFETY



WARNING



Crush Hazard (Rolling Over)

Do not clean, lubricate, or make adjustments while the unit is moving.



Never allow inexperienced or untrained personnel to operate the implement or tractor without supervision.



Enter And Exit Tractor

To avoid being run over, do not enter or exit tractor when it is moving. Avoid serious injury or death, from contact with rotating tires, by entering or exiting tractor only when it is completely stopped.



Safe Distance

Keep all bystanders, especially children, away from the tractor and implement during operation.

SAFETY INSTRUCTIONS



Periodically clear the unit of brush, twigs, or other materials to prevent buildup of dry, combustible materials.



Visually check all fasteners for tightness or damage before and after operation. Repair immediately if required.

Tractor Requirements



WARNING



Tractor Owner/Operator Manual

Always refer to the tractor Operator's Manual to ensure compatibility and maximum safety.

Be familiar with the location, settings, and function of the tractor controls before using this equipment.

SAFETY INSTRUCTIONS

Do not use a tractor of more than the recommended HP to prevent damaging implement components.

Tractor Safety Devices

If transporting or operating the tractor and implement near a public roadway, the tractor must be equipped with proper warning lighting and a Slow Moving Vehicle (SMV) emblem, which are clearly visible from the rear of the unit. Lights and a SMV emblem must be attached directly to the implement if the visibility of the tractor warning signals is obscured.

Never operate the tractor PTO with the PTO master shield missing or in the raised position.

ROPS and Seat Belt

The tractor must be equipped with a Roll Over Protective Structure (ROPS) (tractor cab or roll-bar) and seat belt to protect the operator from falling off the tractor, especially during a roll-over where the driver could be crushed and killed.

Only operate the tractor with the ROPS in the raised position and seat belt fastened.



WARNING



Rollover Hazard

To avoid serious injury or death from falling off tractor, equipment rollover, rollover, or crushing:

- 1) Use ROPS equipped tractor.
- 2) Keep ROPS locked in the UP position.
- 3) Only operate the equipment when seated in the tractor seat.
- 4) Always fasten seat belt when operating the tractor and Implement.

Connecting to Tractor



WARNING



Crush Hazard

Use care when attaching the unit to the tractor. Never place any part of your body under the tongue or hitch assembly. Do not allow anyone to stand between moving tractor and implement during hook-up operations.

MAINTENANCE SAFETY



WARNING



Use Properly Rated Tools

Use sufficient tools, jacks, and hoists that have the capacity for the job.



Crush Hazard

Use support blocks or safety stands rated to support the load when performing maintenance.

SAFETY INSTRUCTIONS

Follow all operating, maintenance, and safety instructions found in this manual.



Understand the service procedure before performing the work. Keep area clean and dry.



Keep all parts in good condition and properly installed. Fix damage immediately. Replace worn or broken parts.



Do not leave tools lying on the unit.



Do not modify unit or safety devices. Do not weld on the unit. Unauthorized modifications may impair its function and safety.

If equipment has been altered in any way from the original design, the manufacturer does not accept any liability for injury or warranty.



Never replace hex bolts with less than Grade 5 bolts unless otherwise specified. In locations where Grade 8 bolts are used, Grade 8 replacements are required.



Where replacement parts are necessary for periodic maintenance and servicing, genuine factory replacement parts must be used to restore the unit to original specifications.

The manufacturer will not accept responsibility for damages as a result of the use of unapproved parts.

Bolt Torque Requirements

It is extremely important to apply and maintain proper torque on all bolts. Use a torque wrench to assure the proper amount of torque is being applied to the fastener.

Start all bolts or nuts by hand to prevent cross threading.

Torque figures indicated in the chart are used for non-greased or non-oiled threads unless otherwise specified. Therefore, do not grease or oil bolts or cap screws unless otherwise specified in this manual. When using locking elements, increase torque values by 5%.

The chart gives correct torque values for various bolts and cap screws. Tighten all bolts to the torques specified in the chart unless otherwise noted. Check tightness of bolts periodically, using the bolt torque chart as a guide. Always replace hardware with the same Grade bolt.

WARNING



Equipment Failure

The torque value for bolts and cap screws are identified by their head markings. Replacing higher "Grade" bolts (Grade 5) with lower Grade bolts will lead to equipment failure and can result in injury or death. Always use replacement bolts with the same Grade markings as the removed bolt.

Bolt Diameter	Bolt Torque Specifications			
	Grade 5		Grade 8	
	N·m	ft.lbs.	N·m	ft.lbs.
1/4"	12	9	17	12
5/16"	25	19	36	27
3/8"	45	33	63	45
7/16"	72	53	100	75
1/2"	110	80	155	115
9/16"	155	115	220	165
5/8"	215	158	305	220
3/4"	390	290	540	398
7/8"	570	420	880	650
1"	850	630	1320	970

Welding Repairs



Before performing any type of welding repair to the implement, contact T.G. Schmeiser Co., Inc. for approval. Repair welding must be done with care and with procedures that may be beyond the capabilities of the ordinary welder.

WARNING

Personal Injury Hazard



Repairs or modifications to the implement can result in serious injury or death should these repairs fail.

NOTICE

Anyone performing a welding repair should be certified in accordance to the American Welding Society (AWS) standards.

STORAGE SAFETY

WARNING



Hazard And Information Signs

Replace any missing or hard-to-read safety signs. Safety sign placement and part numbers can be found in the Nomenclature section of this manual.



Damaged Parts Hazard

Do not use this unit if it is in need of repair. If you believe the unit has a defect which could cause damage, injury, or death, you should immediately stop using the unit.

SAFETY INSTRUCTIONS



Store the implement in an area away from human activity.



Do not permit children to play on or around the stored unit at any time.



Block the wheels to prevent the implement from rolling.

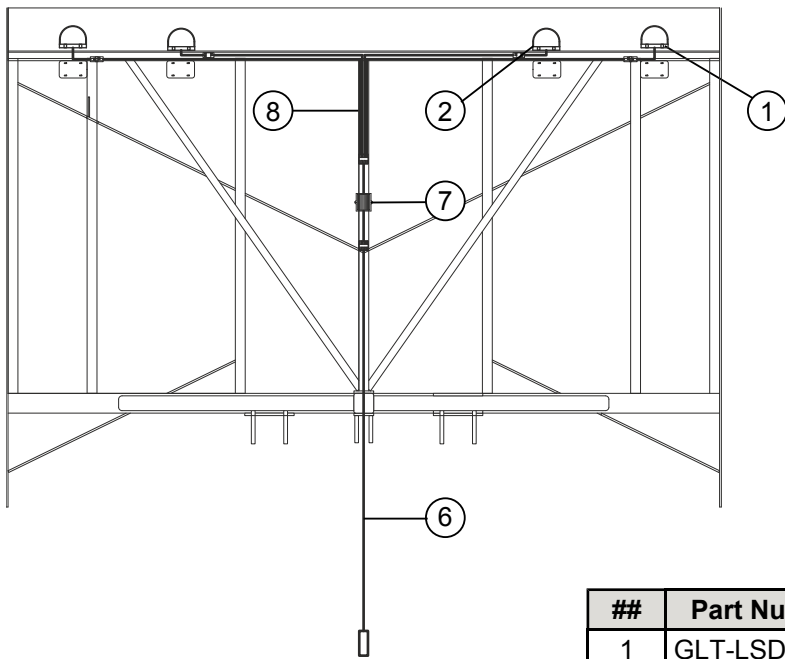
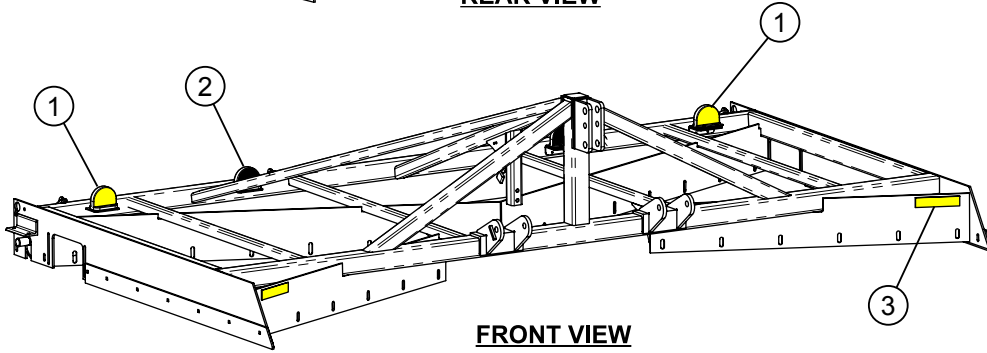
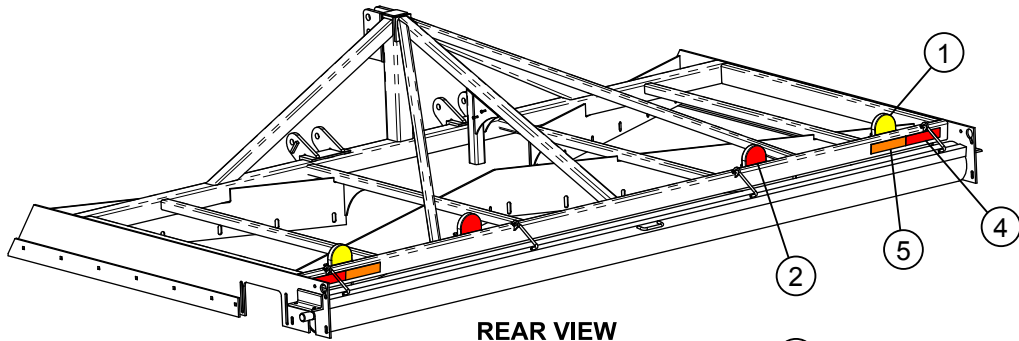


When using compressed air to clean implement, wear safety glasses.

DISPOSAL OF EQUIPMENT AT END OF USEFUL LIFE

The T. G. Schmeiser implement has been designed for the specific purpose of conditioning the ground in agricultural applications. When this unit is no longer capable of doing its designed purpose, it should be dismantled and scrapped. Do not use any materials or components from this unit for any other purpose.

SAFETY LIGHTING AND MARKING



##	Part Number	Description	Q'ty
1	GLT-LSDY	Lamp, Surface Mount Double Yellow	2
2	GLT-LSSR	Lamp, Surface Mount Single Red	2
3	D-2X9RY	Reflective Tape, Yellow	2
4	D-2X9RR	Reflective Tape, Red	2
5	D-2X9FL	Fluorescent Tape, Orange	2
6	GLT-HF07	Front Harness, 7 Ft. Long	1
7	GLT-FCM	Flasher Control Module	1
8	GLT-HW1024	Rear Wishbone Harness 10 Ft.-24 Ft.	1

SAFETY SIGNS AND DECALS

SAFETY INSTRUCTIONS

Follow all operating, maintenance, and safety instructions found in this manual.

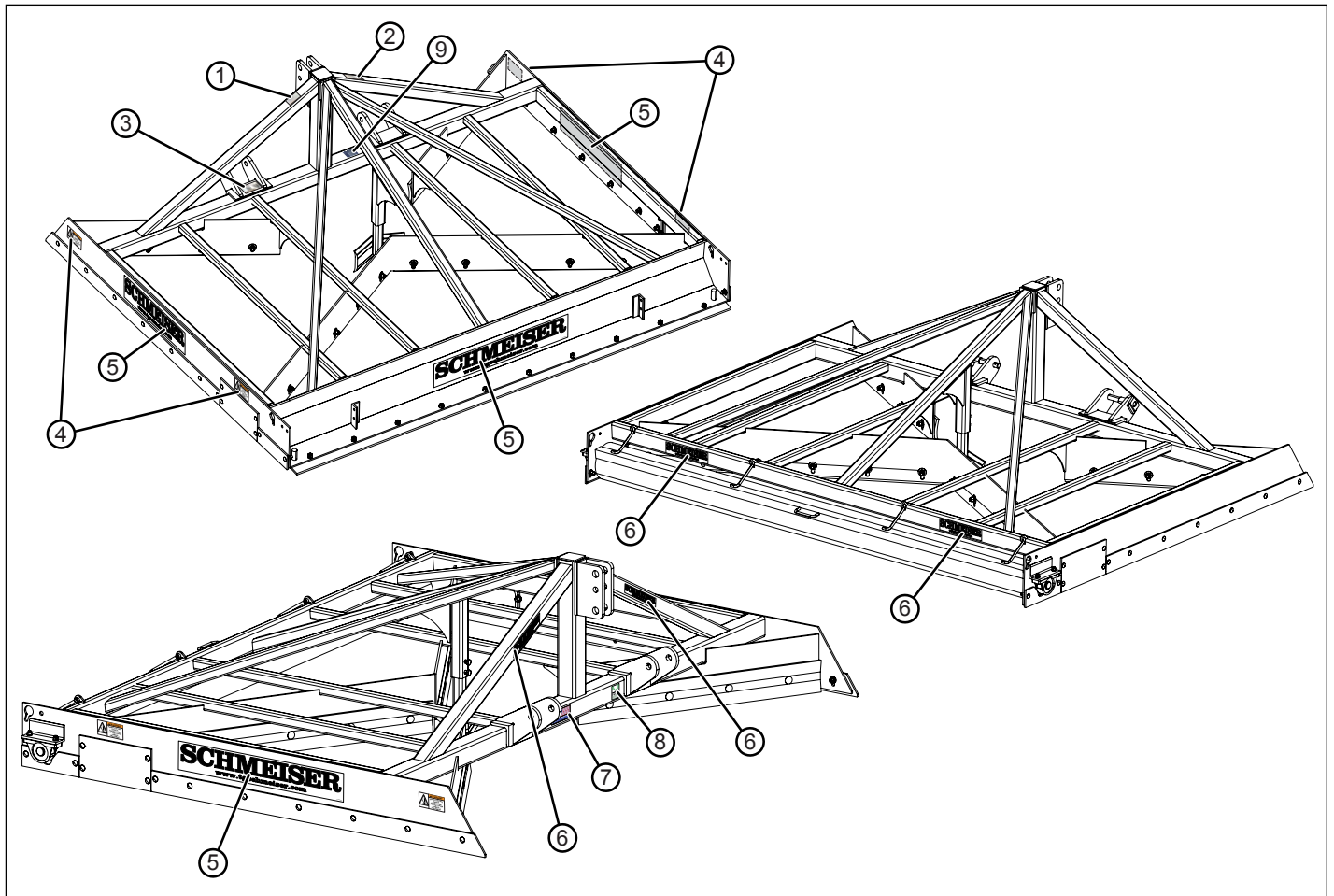


Replace all worn or damaged safety and instruction decals.

- It is the responsibility of the customer to know the marking requirements of the local highway authorities and to comply with the regulations.
- Keep safety signs clean and legible at all times. Replace safety signs that are missing or have become illegible.
- Do not paint over, remove, or deface any safety signs or instructional decals on your equipment. Observe all safety signs and follow the instructions on them.

- When parts that display a safety sign are replaced, the replacement part should display the same sign.
- Make sure the safety signs and other instructional decals are legible and attached to the unit before use.
- Safety signs are available from your Distributor, Dealer Parts Department, or the factory.
- Use care when washing or cleaning the unit not to remove or damage the labels.
- Locations for the labels and replacement part numbers are shown in this section.

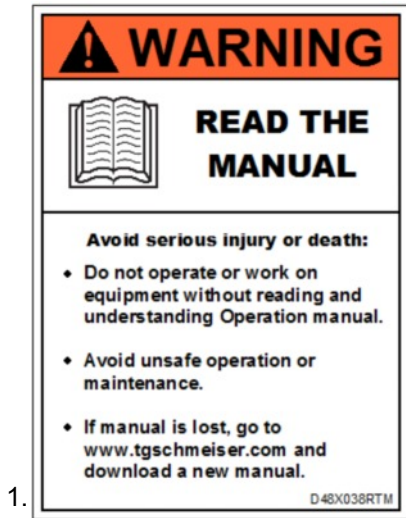
Safety Sign Placement



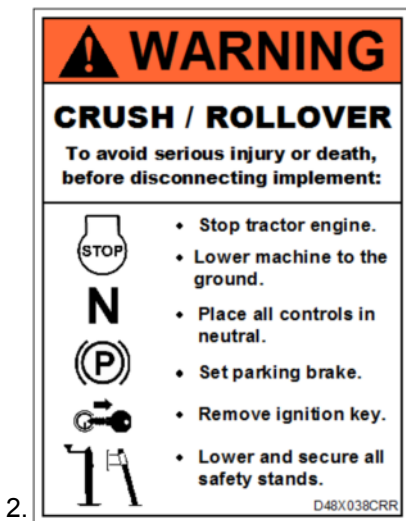
Safety Signs and Decals

Item	Part Number	Description	Qty.
1	D48X038RTM	Read the Manual	1
2	D48X038CRR	Crush / Rollover Hazard	1
3	D28X048PPT	Pinch Point	2
4	D28X048RBW	Sharp Cutting Edge	4
5	D104608BLK	Schmeiser (37")	3*
6	D32X208TGS	Schmeiser (13")	2**
7	D32X048RBC	Made in the USA	1
8	DFEMALOGO1	FEMA	1
9	D48X48QR	Scan to Access Online Manual	1

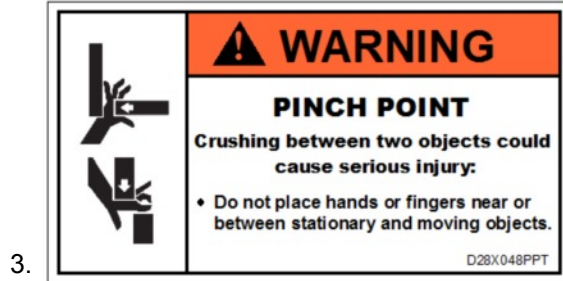
* Two used on roller models.
 **Four used on roller models.



1.



2.



3.



4.



5.



6.



7.



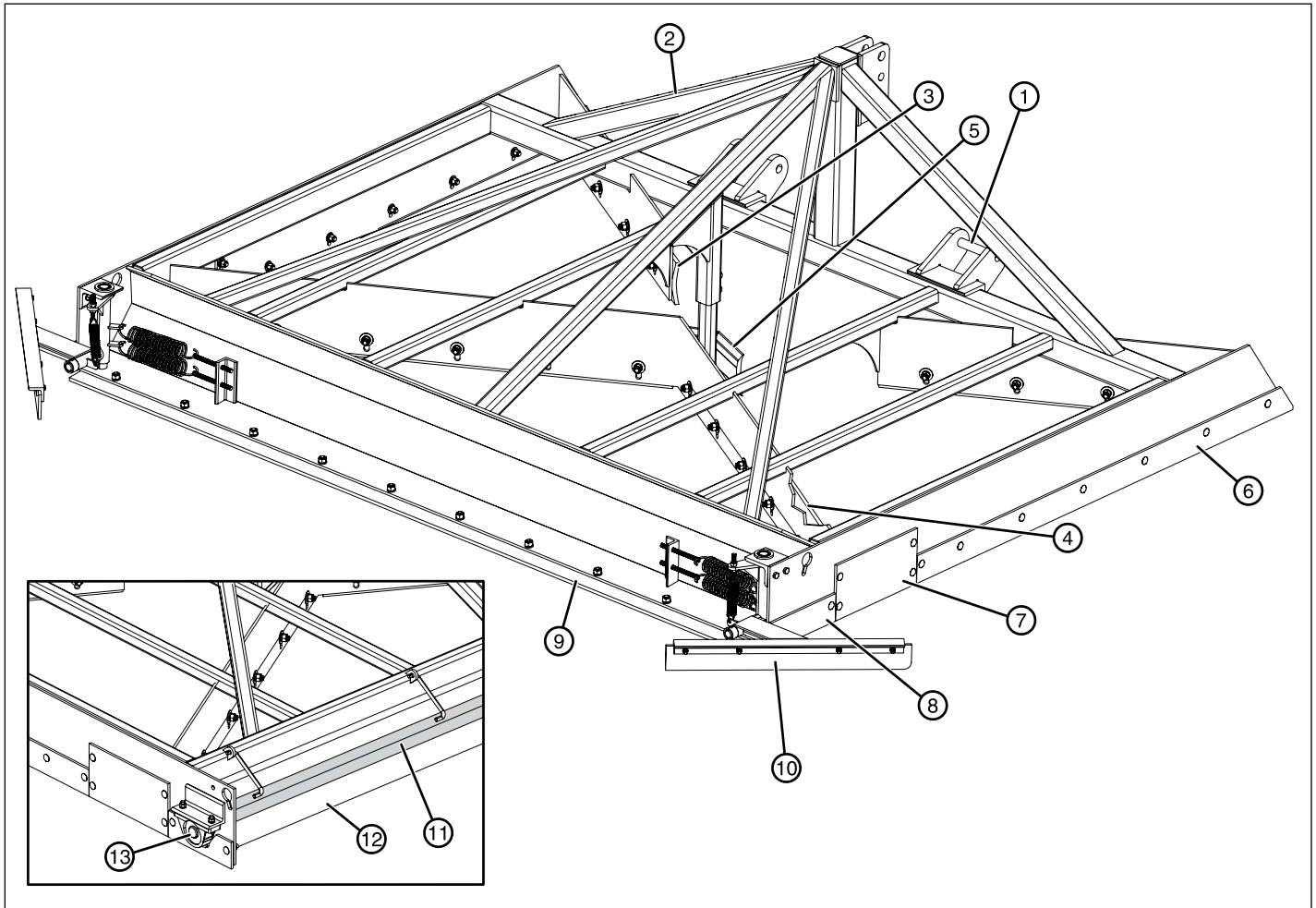
8.



9.

COMPONENT NOMENCLATURE

Component Locations



Item	Description
1	3-Point Hitch Lift Pin
2	Main Frame
3	Front Blade
4	Rear Blade
5	Middle Buster
6	Front Side Wear Blade
7	Trap Door
8	Rear Side Wear Blade
9	Rear Wear Plate
Optional Equipment	
10	Berm Scraper
11	Mud Scraper
12	Rear Roller
13	Rear Roller Bearing

OPERATION

Attaching to Tractor

Use caution when connecting the V-blade leveler to the tractor. The V-blade leveler should be securely resting on the ground or setting on blocks. Keep hands and feet from under the V-blade leveler and clear of pinch points between the tractor drawbar and V-blade leveler hitch.

1. Shorten or remove the tractor drawbar to avoid interference when raising and lowering the V-blade leveler.
 2. Remove the lynch pins and lift pins.
 3. Board the tractor and start the engine. Position the tractor with the 3-point lift arms positioned at the same height and aligned with the V-blade leveler hitch pin holes.
- Note:** Set the 3-point lift control to “Position Control” so that the lift arms maintain a constant height when attaching the V-blade leveler. See the tractor Operator’s Manual for correct settings when attaching 3-point equipment.
4. Turn off the tractor engine and dismount.
 5. Insert the hitch pin through the lift arm and lug holes and install the lynch pin.
 6. Walk around to the opposite side and repeat the procedure for the remaining lift arm and hitch pin.
 7. Extend or retract the 3-point top link to align its end hole with the hole of the V-blade leveler’s top link. Insert the top link hitch pin and insert the retaining pin into the hitch pin.
 8. Return to the tractor and slowly raise the 3-point lift arms fully up and down to make sure the V-blade leveler does not make contact with the tractor tire, drawbar, or any other equipment on the tractor.
 - a. Move or remove the drawbar if it interferes with the implement.
 9. Adjust any lower link check chains, guide blocks, or sway blocks to prevent the V-blade leveler from swaying side-to-side.

Setting the V-blade leveler

Properly setting the V-blade leveler is essential for efficient and safe operation. A properly set V-blade leveler will consistently achieve the desired results.





Note: *The V-blade leveler must be hitched to the tractor and raised off the ground to make the following adjustments.*

1. Use the adjustment on the tractor 3-point hitch lift arm to level the V-blade leveler from side-to-side.
2. Adjust the top link to level the V-blade leveler from front to back.
3. In most conditions, the V-Blade Leveler works best when all ground engaging blades are flush and level. To achieve this, set the V-Blade Leveler on a flat, level surface, loosen all blade bolts, including side blades and middle buster, and re-tighten.

Initial Setup Checklist

Efficient and safe operation of the V-blade leveler requires that every user read and understand the operational instructions and all related safety instructions outlined in this manual.

This checklist is provided for the user/owner. It is important for both personal safety and to maintain the mechanical condition of the V-blade leveler that this checklist is followed.

Initial Setup Checklist (prior to using for the first time)	
Location	Task
	Make sure the V-Blade leveler is properly mounted to the 3-point hitch. Refer to “Attaching to Tractor” on page 16.
	Make sure all hardware is properly installed and tightened. Refer to “Maintenance Schedule” on page 18.
	Check the condition of the cutting edges. Refer to “Ground Engaging Components” on page 19.
	Check the V-Blade leveler setup. Adjust if needed. Refer to “Setting the V-Blade leveler” on page 16.

Implement Break-In

Although there are no operational restrictions on the V-blade leveler when used for the first time, it is recommended that the following mechanical items be checked:

1. After 1/2 hour of operation:
 - a. Check all fasteners and tighten if necessary.
 - b. Make sure that the cutting edges are in good condition.
2. After 10 hours of operation:
 - a. Go to the normal servicing and maintenance schedule, as defined in the Maintenance Section.

General Operating Instructions

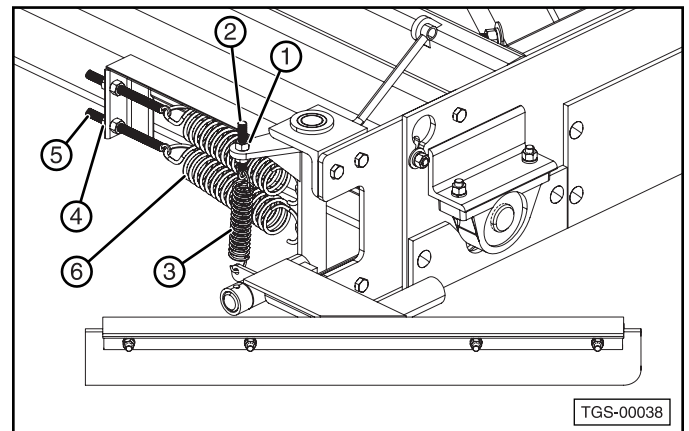
1. Familiarize yourself with the Operation and Parts Manual, and make sure the V-blade leveler is properly attached to the tractor before beginning work. Inspect the condition of the cutting edges and the overall V-blade leveler for potential problems or damage. Do not use the V-blade leveler if it needs repairs of any type.
2. Clear the area of bystanders, especially small children. Make sure that you can clearly see and identify passersby, steep slopes, ditches, drop-offs, power lines, debris, and foreign objects. If you are unable to clearly see these type of items, discontinue operating the V-blade leveler.
3. Know the location of all underground cables, pipelines, and other hazards in the area. Also make certain that all irrigation heads, utility outlets, and other obstacles are properly marked.
4. Watch for low hanging limbs, power lines, and other overhead obstacles while you are operating. Use care to avoid hitting these items.
5. Do not operate the V-blade leveler, or drive the tractor into material that is burning, or areas that recently burnt and may contain hot spots. Tire damage can occur when driving over hot material. Oil and grease on the tractor and V-blade leveler could ignite, resulting in equipment destruction.
6. Lower the V-blade leveler to the ground and proceed forward at a speed of no more than 2 to 4 MPH. The V-blade leveler should immediately begin shaving the soil surface, and allowing material to flow under the blades to fill in low spots.

7. Depending on surface conditions, a buildup may occur in front of the rear wear plate. If this occurs, raise the V-blade leveler slightly with the 3-point hitch control lever to allow excess material to flow out under the wear plate in an even and level fashion.
8. If a buildup occurs in front of the rear blade, raise the trap doors to allow the excess material to flow out of the sides.
9. The keyhole mounts can be used to drag a tire behind to feather out the ridges and distribute excess material.
10. Slow the tractor when making turns, and remember that the V-blade leveler will swing wide of the tractor when turning.
11. Always operate safely and follow all the instructions in this manual.

Berm Scrapers (Optional Equipment)

The berm scrapers (if equipped) can be used to feather out any ridges left at the edge of the implement and distribute excess material.

1. To adjust the vertical spring tension, loosen adjusting nuts (1) on vertical adjusting rod (2) and lengthen or shorten vertical spring (3) to achieve the desired tension.



2. Tighten the adjusting nuts.
3. To adjust the horizontal spring tension, loosen adjusting nuts (4) on horizontal adjusting rods (5) and lengthen or shorten horizontal spring (6) to achieve the desired tension. Be sure to maintain equal tension on the two horizontal springs.
4. Tighten the adjusting nuts.

Detaching From Tractor

1. Move the V-blade leveler to a level storage location. Park the tractor, place the transmission in park or neutral, and apply the parking brake. Lower the V-blade leveler, shut down the engine, and remove the key before exiting the tractor.
2. Make sure the V-blade leveler is resting securely on the ground or blocks before attempting to disconnect it from the tractor. Use extreme care to keep feet and hands from under the V-blade leveler and clear of any pinch points caused by the tractor hitch arms and V-blade leveler hitch pins.
3. Extend or retract the tractor 3-point hitch top link to remove tension on the top link hitch pin. When the pin is loose and easy to rotate, remove the pin from the V-blade leveler.
4. Disconnect the lift arms and drive the tractor away from the V-blade leveler.

MAINTENANCE

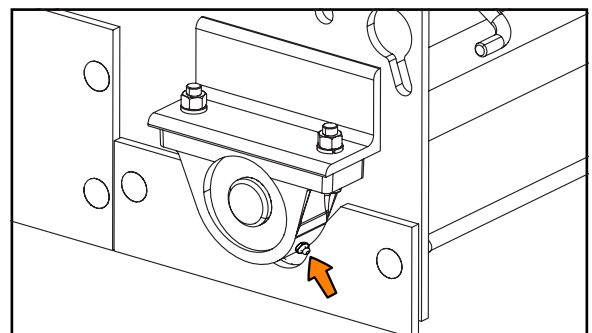
Maintenance Schedule

Maintenance	Hours and Serviced By																	
Before Each Use or Daily																		
Ensure that all fasteners are tight, and all pins are secured in place.																		
Inspect the frame for structural fractures.																		
Make sure all warning decals are in place and legible.																		
Check all blades for wear and damage. Replace if necessary.																		
Every 50 Hours or Weekly																		
Perform the Daily Maintenance schedule.																		
Lubricate zerk fittings on roller pillow block bearings with a good general purpose grease.																		
Every 1000 Hours or Annually																		
Perform the Daily Maintenance schedule.																		
Perform the Weekly Maintenance schedule.																		
Lubricate zerk fittings on roller pillow block bearings with a good general purpose grease.																		
Remove debris and clean the entire implement with compressed air or a pressure washer.																		
Remove rust and apply a coat of paint to frame surfaces where the paint has been worn off or damaged.																		

Lubrication Points

Bearings come pre-lubed from the factory. Prior to applying grease, allow 40 hours of operation time to break in the seals. Add grease to the zerk fitting on the pillow block bearings on roller models, as shown. Avoid mixing different brands of grease.

Note: *Clean the fitting, then add grease until it is visibly forced out of the bearing.*



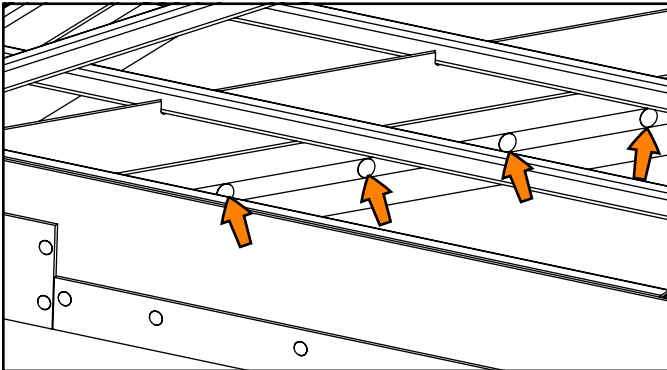
Ground Engaging Components

Ground engaging components are subject to abrasion and wear. The slotted mounting holes provide 1" of adjustment, which may be used to compensate for wear. Excessively worn components will require replacement.

Front and Rear Blade Replacement

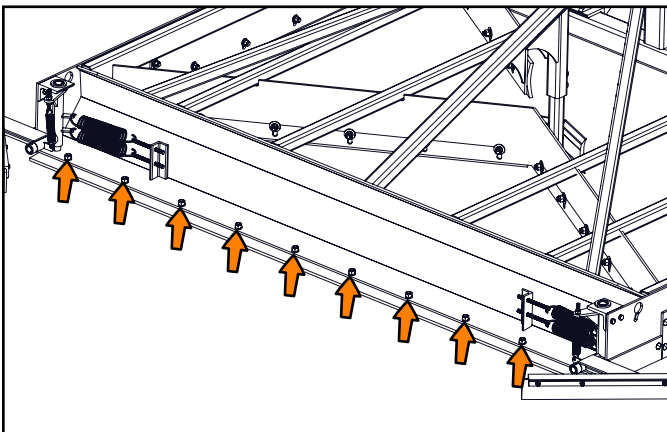
The front and rear blades can be removed, turned over, and reattached to present a fresh edge. Replace the blades when both sides are worn out. Left and right blades should be replaced at the same time. The blades are sold in pairs. Refer to page 22 to obtain the correct part number.

1. Remove the 5/8 x 1-3/4" plow bolts, 5/8" lock washers, and 5/8 hex nuts.
2. Install the replacement blades using new plow bolts. Tighten the nuts to the proper torque.



Rear Wear Plate Replacement

1. The rear wear plate can be removed, turned around, and reattached. Replace the plate when both sides are worn out. Refer to "V-Blade Leveler Front and Rear Blades" on page 22 to obtain the correct part number.
2. Remove the 5/8 x 1-3/4" plow bolts, 5/8" lock washers, and 5/8 hex nuts.

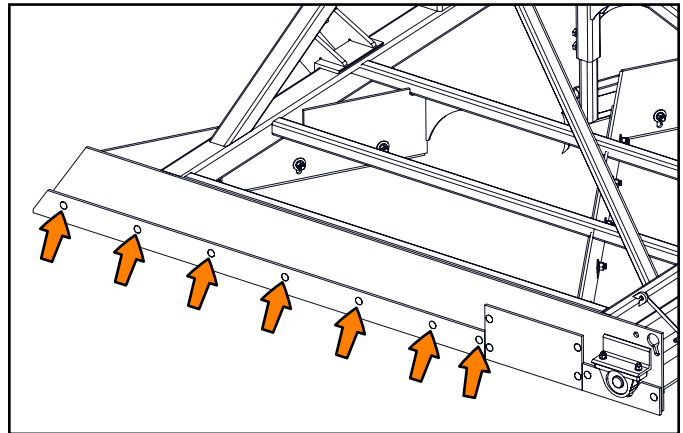


3. Install the replacement wear plate using new plow bolts. Tighten the nuts to the proper torque.

Side Wear Blade Replacement

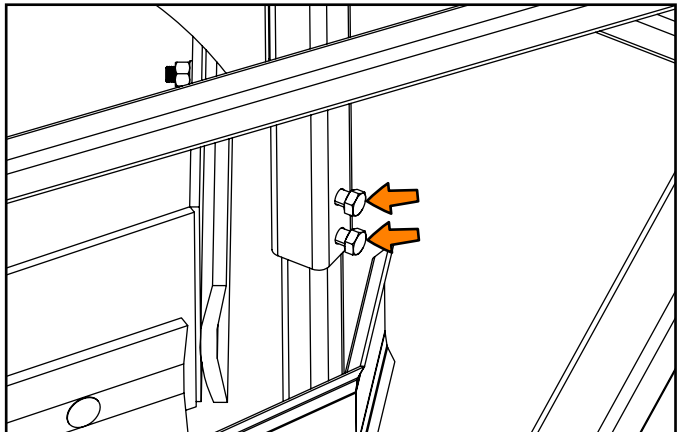
The replacement side wear blade kits contain the front side wear blade, trap door, and rear side wear plate. Left and right blades should be replaced at the same time. Kits are sold in pairs. Refer to "V-Blade Leveler Side Blades" on pages 23-24 to obtain the correct part number.

1. Remove the 1/2 x 1-1/2" carriage bolts, lock washers, flat washers, and nuts.
2. Install the replacement wear blades. Tighten the nuts to the proper torque.



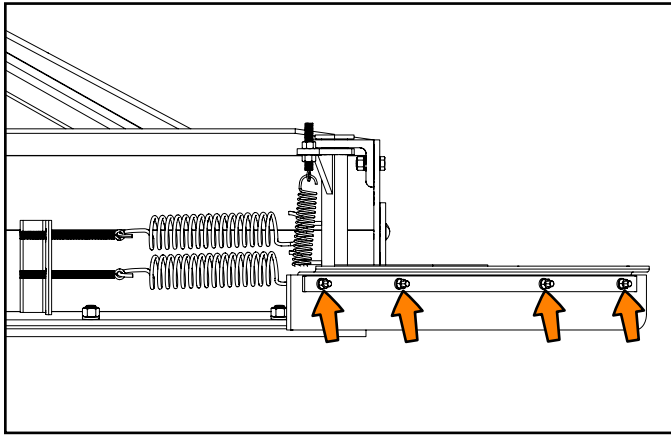
Middle Buster Replacement

1. The middle buster can be lowered as it wears. Loosen the 5/8" x 1-3/4" adjustment screws and lower the middle buster. To replace, loosen the 5/8 x 1-3/4" adjustment screws and lower the middle buster until it is free of the unit.
2. Insert the replacement middle buster to the proper height, and tighten the adjustment screws.



Berm Scraper Wear Plate Replacement

1. Remove the four 3/8 x 1-3/4" Grade 5 cap screws and nuts.
2. Install the replacement wear plates. Tighten the nuts to the proper torque.



STORAGE

Storage Preparation

After work is completed for a season, perform the following maintenance procedures before storing the implement.

1. Apply a thin layer of grease or rust preventative to all exposed metal surfaces of the adjustable mechanisms (threaded rods, etc.).
2. Check all bolted connections. Ensure that the fasteners are tight, and all retaining pins are secured in place with appropriate retaining clips.
3. Inspect the frame for structural fractures.
4. Check the leveler blades and wear plates for wear and damage. If excessively worn or damaged, they must be replaced.
5. Make sure all the warning decals are in place and legible. Replace any worn decals as needed.
6. Thoroughly wash the V-blade leveler with a pressure washer or water hose to remove all dirt, mud, or debris.
7. For models equipped with a rear roller, lubricate the grease fittings on the roller pillow block bearings with a good general purpose lithium grease. Refer to "Lubrication Points" on page 18 for the location of the fittings.

8. To help prevent corrosion, remove rust and apply a coat of paint to frame surfaces where paint has been worn off or damaged.
9. Make sure the implement is stored in an area with a firm and level base to prevent it from tipping or sinking into the ground. For best results, always store the V-Blade Leveler in a dry, protected location. Leaving this implement unprotected will shorten the service life.

Placing In Storage

1. Select an area that is dry, level, and free of debris (inside a building is ideal). Move the V-Blade Leveler to its storage area.
2. Lower the V-Blade Leveler onto blocks.
3. Disconnect the V-Blade Leveler from the 3-point hitch and drive the tractor away from the V-Blade Leveler. Refer to "Detaching From Tractor" on page 18. Do not leave the tractor attached to the V-Blade Leveler.

Removing From Storage

Prior to use each season, perform the following inspection and maintenance.

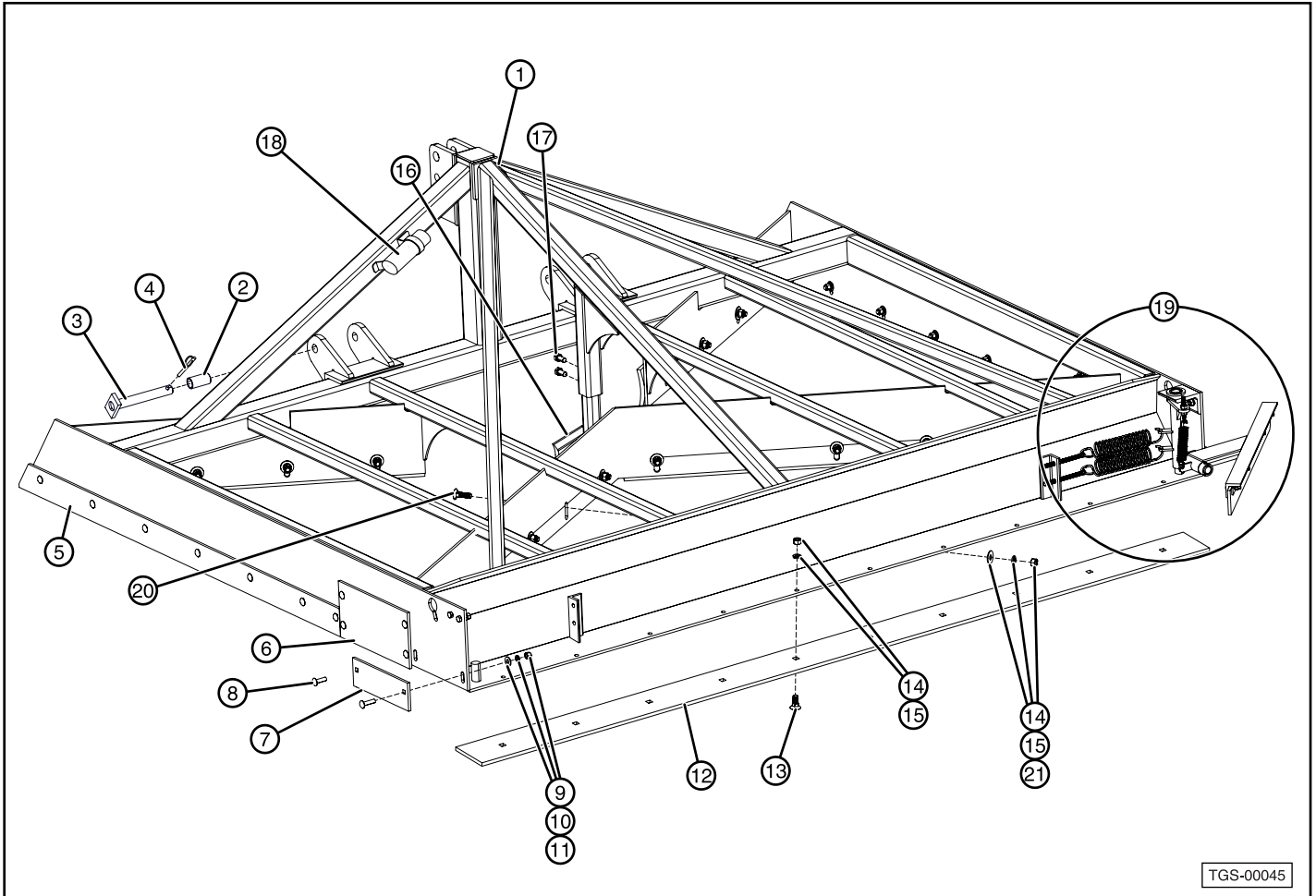
1. Read the operator's manual to review all safety, operational, and maintenance procedures.
2. Perform any recommended maintenance that was not completed when the implement was put into storage.
3. Visually inspect the implement for wear or damage.
4. Make sure all the warning decals are in place and legible. Replace any damaged or missing decals.
5. Attach the V-Blade Leveler to the tractor 3-point hitch. Refer to "Attaching to Tractor" on page 16.
6. Raise the V-Blade Leveler up off the blocks.

PARTS SECTION

Ordering Parts

We manufacture a quality product that requires very little maintenance or repair. However, should a part break become damaged, our knowledgeable staff can make sure you receive the part(s) to put your unit back into operation.

V-Blade Leveler Bucket Assembly



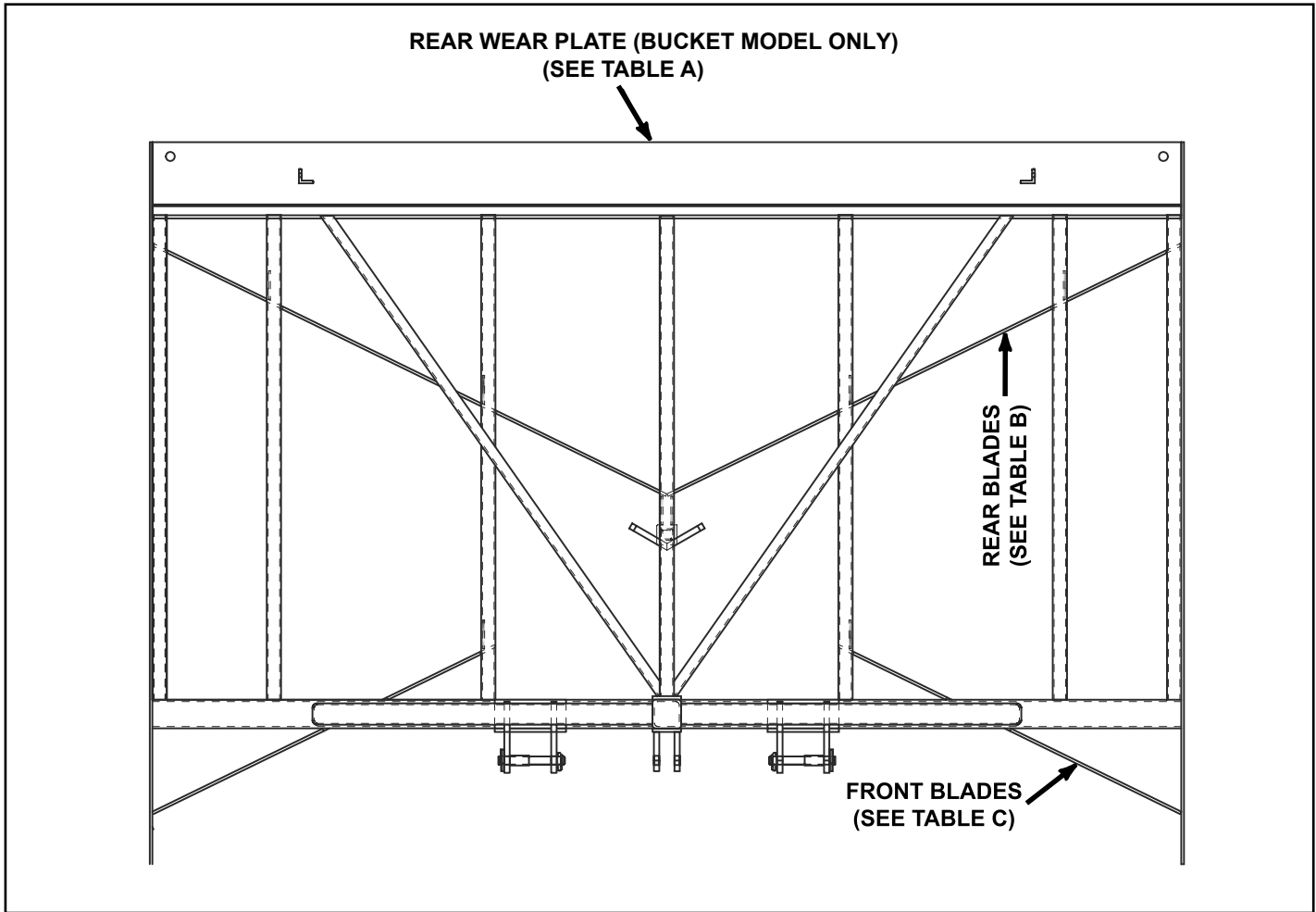
TGS-00045

Item	Part Number	Description	Qty.
1	3VB-(00)A000	V-Blade Leveler Main Frame Bucket Style (specify size)	1
2	GBH-C23L01	Category 2 & 3 Lift Arm Bushing	2
3	3VB-E	V-Blade Leveler Pull Pin (Lower Link)	2
4	GPN-070LYN	7/16" Lynch Pin	2
5	—	Front Side Blades - See Side Blades Section	1 Pair
6	—	Trap Door - See Side Blades Section	1 Pair
7	—	Rear Side Blades - See Side Blades Section	1 Pair
8	CBNC508024	1/2" X 1-1/2" NC Carriage Bolt	26
9	LWASHER-08	1/2" Lock Washer	26
10	FWASHER-08	1/2" Flat Washer	26
11	HXNUT-08NC	1/2" NC Hex Nut	26

Item	Part Number	Description	Qty.
12	—	Rear Wear Plate - See Front and Rear Blades Section for all sizes	1
13	PBNC-10028	5/8" X 1-3/4" Plow Bolt	A/R
14	LWASHER-10	5/8" Lock Washer	A/R
15	HXNUT-10NC	5/8" NC Hex Nut	A/R
16	3VB-C	Middle Buster	1
17	CSNC510028	5/8" x 1-3/4" NC Cap Screw	2
18	OMC1	Document Canister	1
19	3VB-D	Berm Scraper Assembly - see page 25	1 Pair
20	PBNC-10036	5/8" X 2-1/4" NC Plow Bolt	A/R
21	FWASHER-10	5/8" Flat Washer	A/R

A/R - As Required

V-Blade Leveler Front and Rear Blades

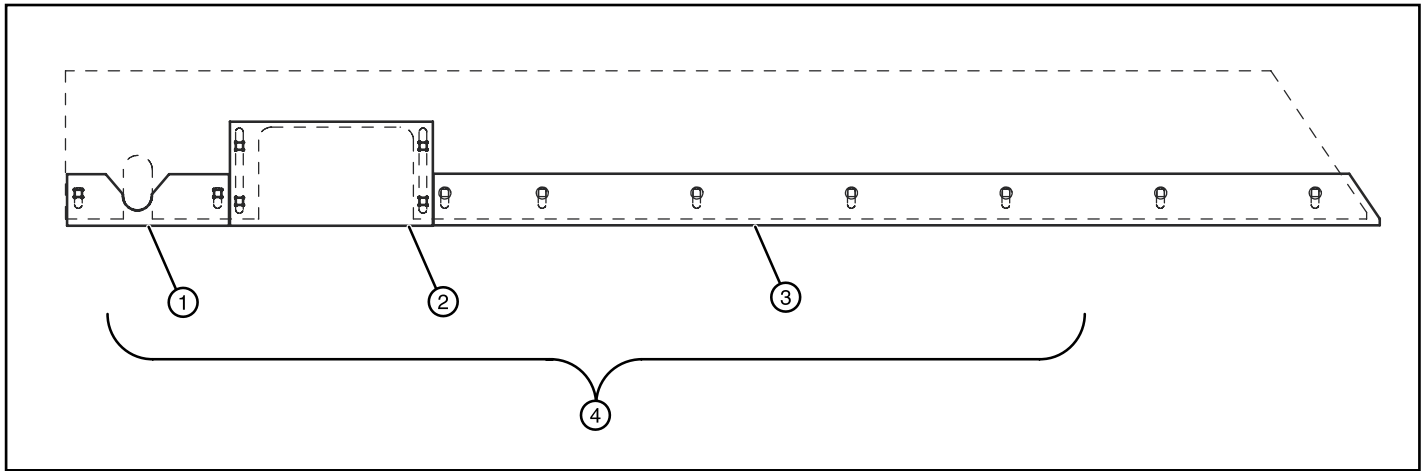


Unit Size, Ft.	Table A	Table B	Table C
	Rear Wear Plate*	Rear Blades, pair*	Front Blades, pair*
8	3VB-B-01-08	3VB-B-02-08	3VB-B-03-08
9	3VB-B-01-09	3VB-B-02-09	3VB-B-03-09
10	3VB-B-01-10	3VB-B-02-10	3VB-B-03-10
11	3VB-B-01-11	3VB-B-02-11	3VB-B-03-11
12	3VB-B-01-12	3VB-B-02-12	3VB-B-03-12
13	3VB-B-01-13	3VB-B-02-13	3VB-B-03-13
14	3VB-B-01-14	3VB-B-02-14	3VB-B-03-14
15	3VB-B-01-15	3VB-B-02-15	3VB-B-03-15
16	3VB-B-01-16	3VB-B-02-16	3VB-B-03-16
17	3VB-B-01-17	3VB-B-02-17	3VB-B-03-17
18	3VB-B-01-18	3VB-B-02-18	3VB-B-03-18

*Fasteners are included with all blade kits.

V-Blade Leveler Side Blades

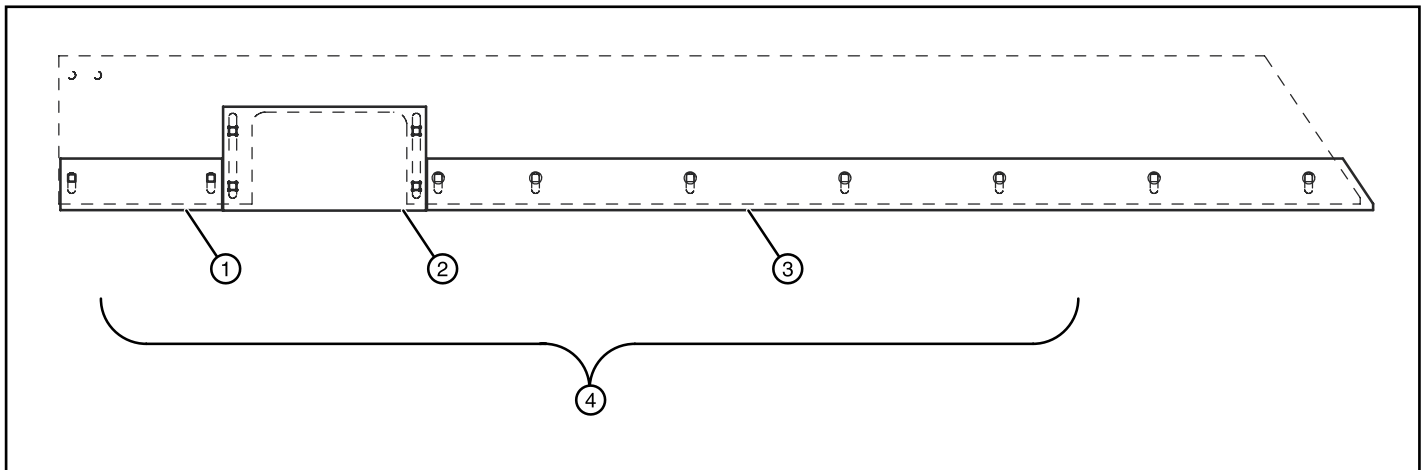
16" Trap Door, Roller model (August 2006 and after)



Item	Part Number	Description	Qty.
1	3VB-B-09S*	Rear Side Blade, Roller Style	1
2	3VB-B-05*	Trap Door, 16"	1
3	3VB-B-06*	Front Side Blade, 16" Trap Door	1
4	3VB-B-16R*	Side Wear Blade Kit, Roller Style	1 pair

*Fasteners are included with all blade kits.

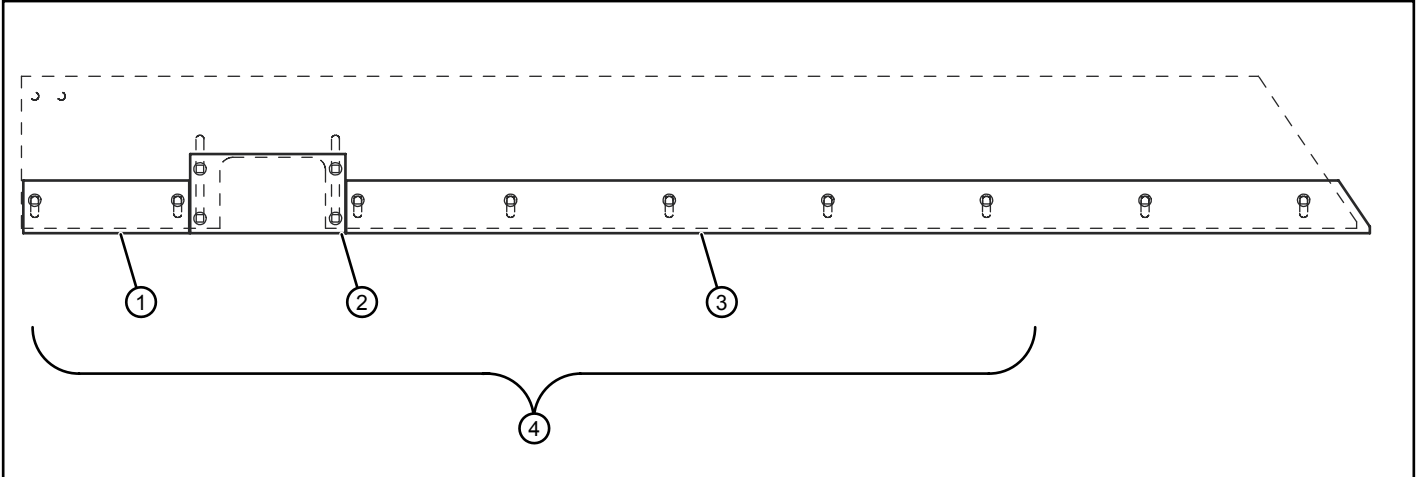
16" Trap Door, Bucket model (April 2005 and after)



Item	Part Number	Description	Qty.
1	3VB-B-09*	Rear Side Blade, Bucket Style	1
2	3VB-B-05*	Trap Door, 16"	1
3	3VB-B-06*	Front Side Blade, 16" Trap Door	1
4	3VB-B-16*	Side Wear Blade Kit, 16" Trap Door	1 pair

*Fasteners are included with all blade kits.

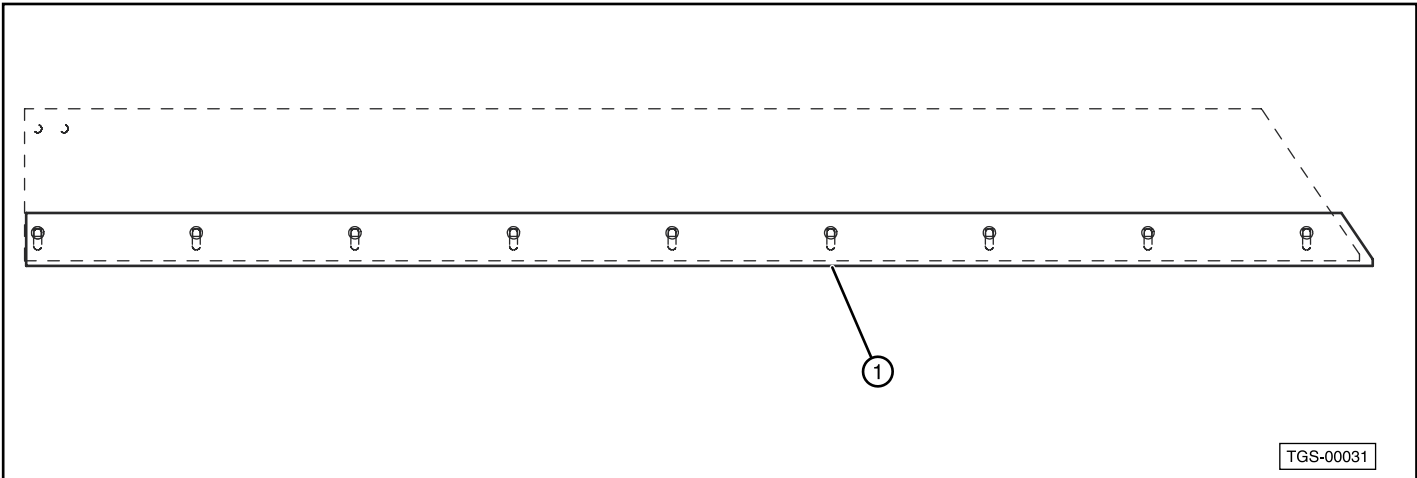
12" Trap Door, Bucket model (March 2005 and earlier)



Item	Part Number	Description	Qty.
1	3VB-B-09*	Rear Side Blade, Bucket Style	1
2	3VB-B-07*	Trap Door, 12"	1
3	3VB-B-08*	Front Side Blade, 12" Trap Door	1
4	3VB-B-10*	Side Wear Blade Kit, 12" Trap Door	1 pair

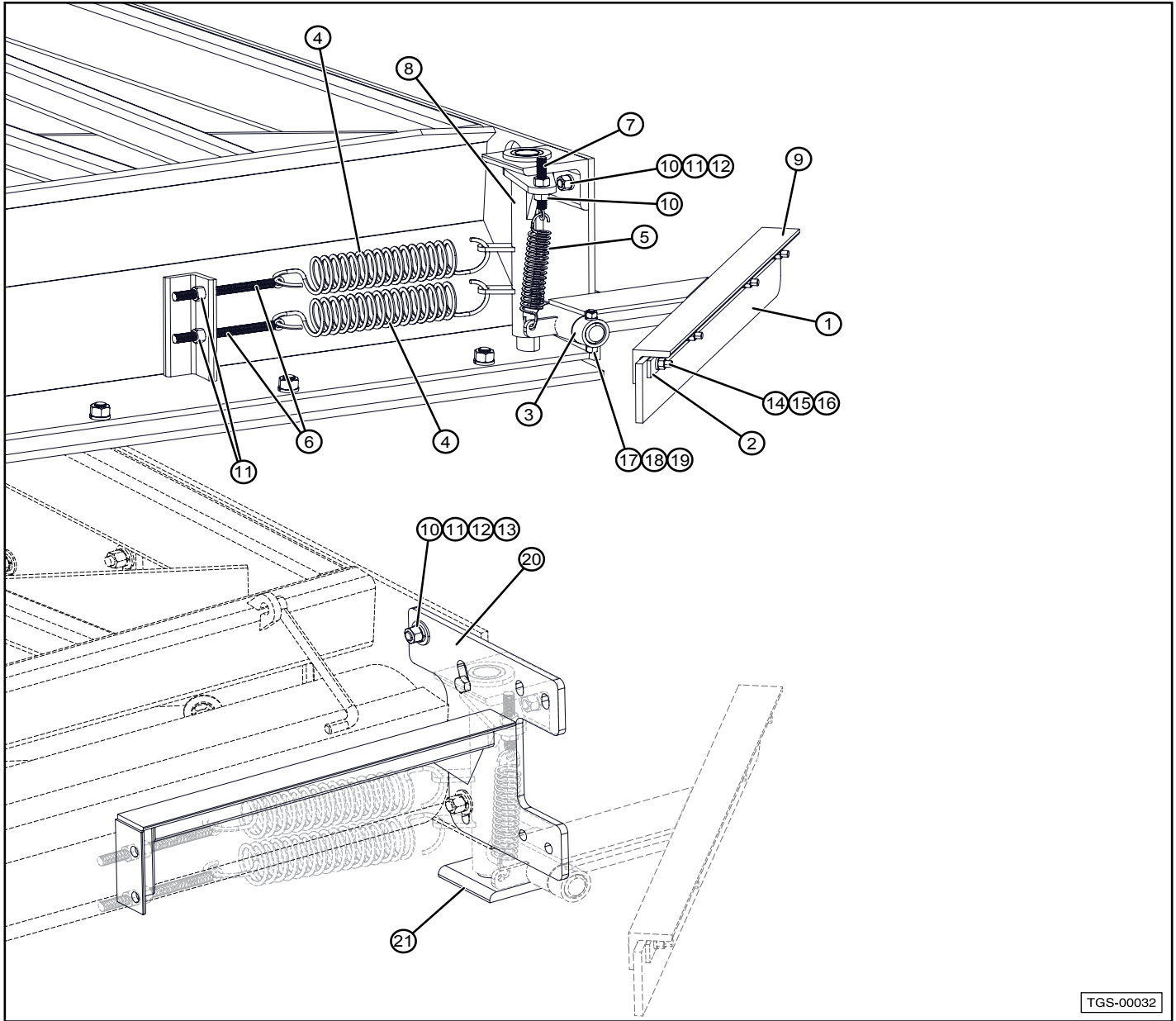
*Fasteners are included with all blade kits.

No Trap Door, Bucket model (March 2005 and earlier)



Item	Part Number	Description	Qty.
1	3VB-B-04	Side Wear Blade, No Trap Door (Includes Fasteners)	1 pair

V-Blade Leveler Berm Scraper Assembly



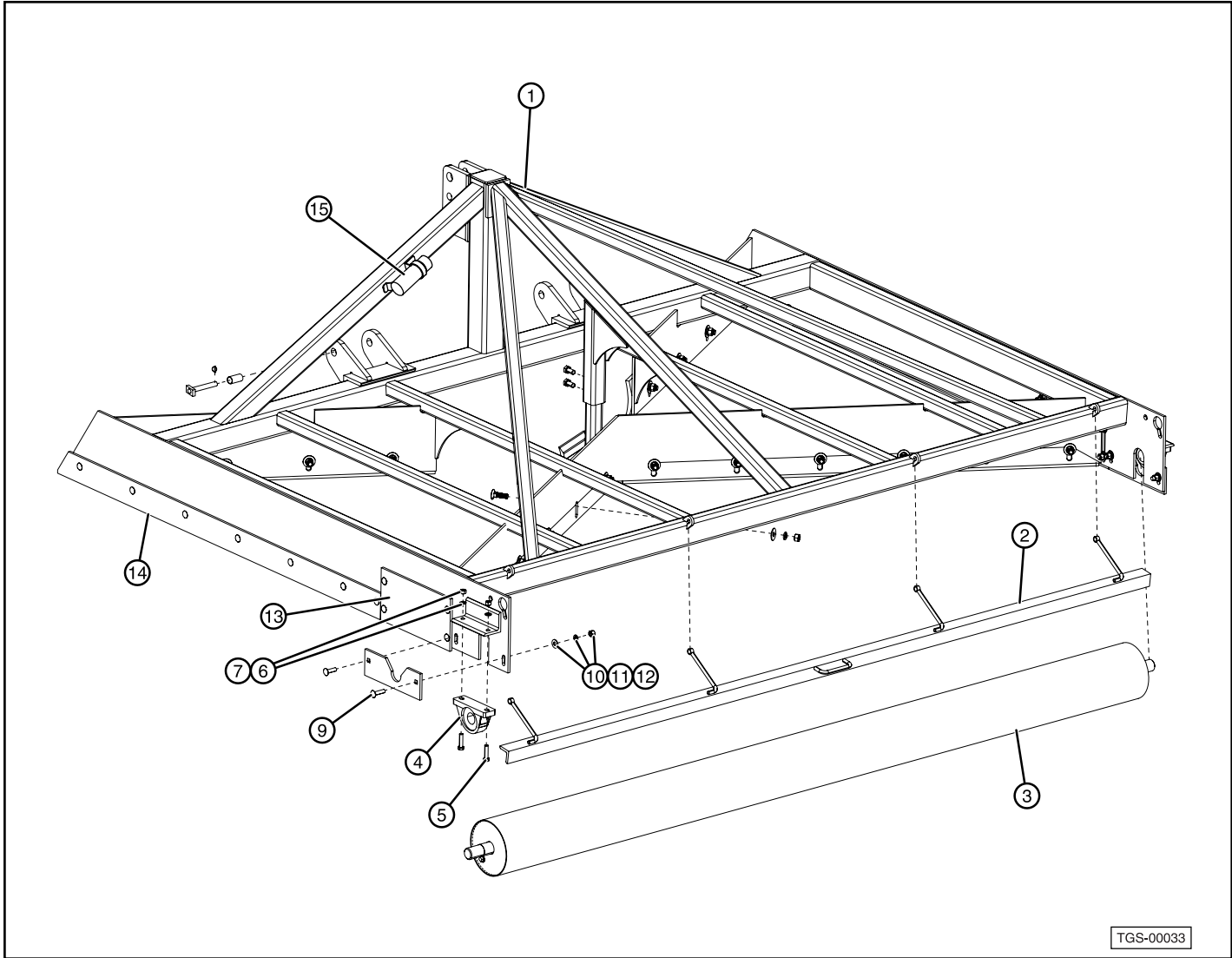
Item	Part Number	Description	Qty.
1	3VB-00D205	Berm Scraper Wear Plate	2
2	3VB-00D206	Berm Scraper Blade Backing Plate	2
3	3VB-00D207	Berm Scraper Outer Shaft Collar	2
4	GSR-EX0201	Berm Scraper Spring 1.968" x 9.5" x 0.215"W	4
5	GSR-EX0101	Berm Scraper Spring 1.062" x 7" x 0.12" W	2
6	3VB-00D300	Berm Scraper Horizontal Adj. Rod	4
7	3VB-00D400	Berm Scraper Vertical Adj. Rod	2
8	3VB-00D100L 3VB-00D100R	Berm Scraper Pivot Shaft Weldment LH Berm Scraper Pivot Shaft Weldment RH	1
9	3VB-00D200L 3VB-00D200R	Berm Scraper Blade Weldment LH Berm Scraper Blade Weldment RH	1
10	CSNC508032	1/2 X 2 NC Cap Screw	4

Item	Part Number	Description	Qty.
11	HXNUT-08NC	1/2 NC Hex Nut ZP	16
12	LWASHER-08	1/2 Lock Washer ZP	4
13	FWASHER-08	1/2 Flat Washer	
14	CSNC506028	3/8" X 1-3/4" Gr. 5 Cap Screw	8
15	HXNUT-06NC	3/8" NC Hex Nut	8
16	LWASHER-06	3/8 Lock Washer ZP	8
17	CSNC505036	5/16 x 2-1/4 NC Cap Screw GR 5	2
18	LWASHER-05	5/16 Lock Washer ZP	2
19	HXNUT-05NC	5/16 NC Hex Nut ZP	2
20	3VB-00D500L 3VB-00D500R	Berm Scraper Frame Weldment LH Berm Scraper Frame Weldment RH	1
21	3VB-00D800	Berm Scraper Bottom Bracket	2

*3VB-D Berm Scraper Kit (Bucket models) - includes items 1 through 19 for both sides

*3VB-DR Berm Scraper Kit (Roller models) - includes items 1 through 21 for both sides.

V-Blade Leveler Rear Roller Assembly



TGS-00033

Item	Part Number	Description	Qty.
1	3VB-(00)A100	V-Blade Leveler Main Frame Roller Style (specify size)	1
2	3VB-M-(00)	V-Blade Leveler Mud Scraper (specify size)	1
3	VR08(00)	V-Blade Leveler Rear Roller (specify size)	1
4	TPP3150	1-11/16" Pillow Block Bearing (for up to 15 Ft. Units)	2
	TPP3155	1-15/16" Pillow Block Bearing (for 16 Ft. and up Units)	
5	CSNC508036	1/2" X 2-1/4" Gr.5 NC Cap Screw (for up to 15 Ft. Units)	4
	CSNC510040	5/8" X 2-1/2" Gr.5 NC Cap Screw (for 16 Ft. and up Units)	
6	LWASHER-08	1/2" Lock Washer (for up to 15 Ft. Units)	4
	LWASHER-10	5/8" Lock Washer (for 16 Ft. and up Units)	

Item	Part Number	Description	Qty.
7	HXNUT-08NC	1/2" NC Hex Nut (for up to 15 Ft. Units)	4
	HXNUT-10NC	5/8" NC Hex Nut (for 16 Ft. and up Units)	
8	3VB-00B009S	Rear Side Blade for Roller Models (see Side Blades page for all models)	2
9	CBNC508024	1/2" X 1-1/2" NC Carriage Bolt	26
10	FWASHER-08	1/2" Flat Washer	26
11	LWASHER-08	1/2" Lock Washer	26
12	HXNUT-08NC	1/2" NC Hex Nut	26
13	3VB-B-05	Trap Door Piece (see Side Blades page for all models)	2
14	3VB-B-06	Front Side Blade (see Side Blades page for all models)	2
15	OMC1	Document Canister	1

LIMITED WARRANTY STATEMENT

T.G. Schmeiser Co., Inc.

P.O. Box 1392 – Selma, CA 93662
Phone (559) 268-8128 Fax (559) 268-3279

T. G. Schmeiser Co., Inc. warrants each new Schmeiser® product to be free from defects in material and workmanship. This warranty is applicable only for the normal service life expectancy of the product or components, not to exceed twelve (12) consecutive months from the date of delivery of the new Schmeiser product to the original purchaser.

Genuine T. G. Schmeiser Co., Inc. replacement parts and components will be warranted for 90 days from date of purchase, or the remainder of the original equipment warranty period, whichever is longer.

Under no circumstances will it cover any merchandise or components thereof, which, in the opinion of the company, has been subjected to misuse, unauthorized modifications, alteration, an accident or if repairs have been made with parts other than those obtainable through T. G. Schmeiser Co., Inc.

The Company in no way warrants engines, batteries, cylinders, tires or other trade accessories since these items are warranted separately by their respective manufacturer. Expendable components such as points, shanks, blades, rings, bearings, teeth, and the like are excluded from this warranty.

Our obligation under this warranty shall be limited to repairing or replacing, free of charge to the original purchaser, any part that, in our judgment, shall show evidence of such defect, provided further that such part shall be returned within thirty (30) days from date of failure to T. G. Schmeiser Co., Inc., routed through the dealer and distributor from whom the purchase was made, transportation charges prepaid.

This warranty shall not be interpreted to render T. G. Schmeiser Co., Inc. liable for injury or damages of any kind or nature to person or property. This warranty does not extend to the loss of crops, loss because of delay in harvesting, or any expense or loss incurred for labor, substitute machinery, rental or for any other reason.

Except as set forth above, **T. G. Schmeiser Co., Inc. shall have no obligation or liability of any kind on account of any of its equipment and shall not be liable for special or consequential damages. T. G. Schmeiser Co., Inc. makes no other warranty, expressed or implied, and, specifically, T. G. Schmeiser Co., Inc. disclaims any implied warranty or merchantability or fitness for a particular purpose. Some states or provinces do not permit limitations or exclusions of implied warranties or incidental or consequential damages, so the limitations or exclusion in this warranty may not apply.**

This warranty is subject to any existing conditions of supply, which may directly affect our ability to obtain materials or manufacture replacement parts.

T. G. Schmeiser Co., Inc. reserves the right to make improvements in design or changes in specifications at any time, without incurring any obligation to owners of units previously sold.

No one is authorized to alter, modify or enlarge this warranty nor the exclusion, limitations and reservations.

**WARRANTY VOID IF NOT REGISTERED
WITHIN 30 DAYS OF PURCHASE DATE**



**P.O. Box 1392
Selma, CA 93662
(559) 268-8128
WEB: www.TGSchmeiser.com**

